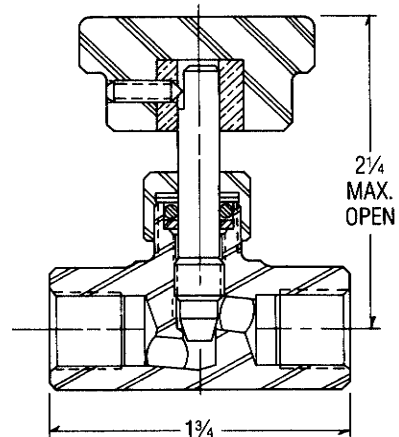
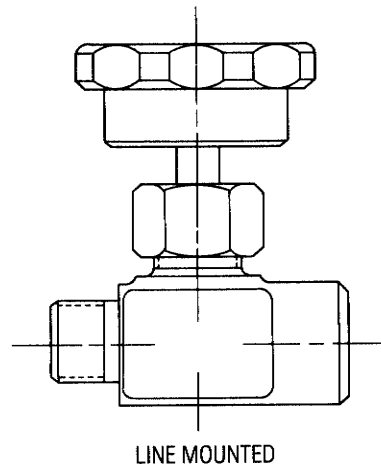
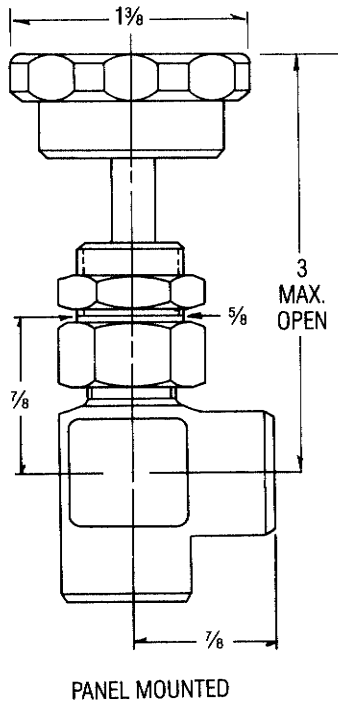




# MODEL 3000

# MINIATURE NEEDLE VALVE



## BILL OF MATERIALS

QTY. ASSY	PART NAME	STAINLESS STEEL	BRASS
1	BODY	STAINLESS STEEL TY 316	BRASS
1	STEM	STAINLESS STEEL TY 316	STAINLESS STEEL TY 303
1	LOCK NUT	BRASS NICKEL PLATED	BRASS NICKEL PLATED
1	PACK NUT	BRASS NICKEL PLATED	BRASS NICKEL PLATED
1	HANDLE	PLASTIC	PLASTIC
1	O-RING	AS ORDERED	

## ORDERING INSTRUCTIONS

PART NO. P 3 0 5 2 T

BODY TYPE	MATERIAL	CONNECTIONS	PACKING
30 GLOBE FXF	0 BRASS	1 1/8 NPT	BUNA-N STD
35 GLOBE MXF			
37 ANGLE FXF	5 STAINLESS STEEL	3 1/4 NPT	T TEFLON
39 ANGLE MXF		4 1/4 TUBE	

Prefix Letter P to Part Number for Panel Mounting Only

## SPECIFICATIONS

MATERIAL	PRESS	TEMP
ST. STL.	4500 PSI	200°F
BRASS	3000 PSI	200°F

SERVICE: WATER, OIL, GAS  
ORIFICE SIZE: 0.170  
APPROX. SHPG. WT. 1/4 lbs.

13457 EXCELSIOR DRIVE  
P.O. BOX 489, NORWALK, CALIF.